



The F783 control head is a plug-in automated valve control device (AVID), allowing direct connection to both hard-wired and networked PLC control systems.

Features

- 24 VDC/AC or BUS specific voltages.
- World recognized BUS protocols.
- Keystone technology.
- Modular design.
- Single 5/2 solenoid.
- Bi-directional speed controls.
- Lockable manual override.
- Up to 3 solenoid outputs available depending on module version.
- Plug in control module, switches and solenoid.
- Linear and rotary configuration.
- Fully adjustable.
- Corrosion resistant materials.
- Robust IP 67 enclosure.
- Enclosure safety vent.
- High visibility valve status LED indicators.
- Low power consumption.
- Built-in short circuit protection.

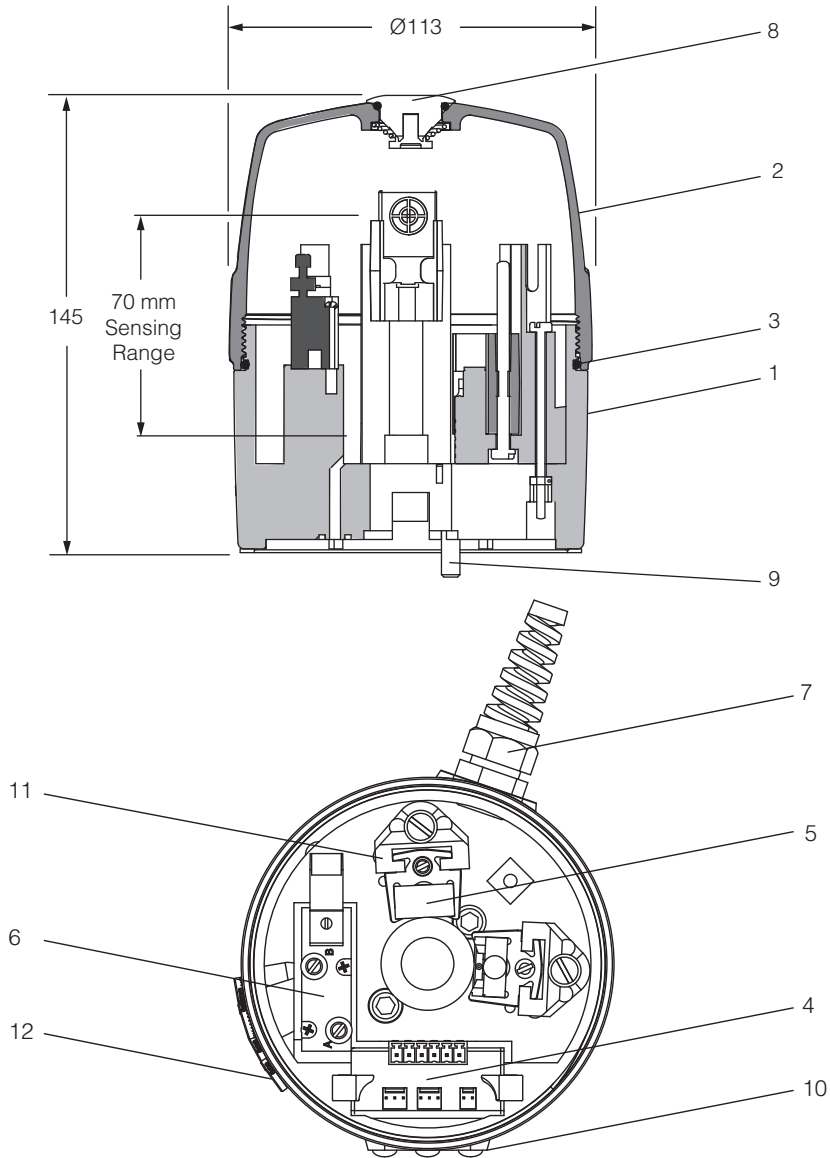


General Applications

- Brewery
- Dairy
- Winery
- Cannery
- Food processing
- Pharmaceutical
- Chemical
- Beverage

Keystone Hygienic Products – Figure 783 EasyMind AVID

For Digital Hard Wired and BUS Control Interfaces



Parts List

No.	Description	Material
1	Control head base	GF Nylon
2	Control head cap	GF Nylon
3	Control head O-ring	NBR
4	Control module	Various
5	Position sensor (proximity type)	-
6	Solenoid valve	-
7	Cable gland	Polyamide
8	Relief valve	Various
9	Mounting fasteners M6 x 30	SS
10	LED lenses (Red, Green, Yellow)	Nylon
11	Switch pillar	A.B.S.
12	Air fittings	Various

A.B.S. = Acrylonitrile Butadiene Styrene

Notes:

Air fittings (6 mm):

IN = Inlet Port
 EX = Exhaust Port
 B = Outlet Port B
 A = Outlet Port A

LED factory settings are:

Red = Closed
 Green = Open
 Amber = Power to solenoid

Technical Specifications

	Voltage Types Available			
	24V DC PNP	24V DC NPN	24V AC	110V AC
Control Head Housing				
Type	For Linear and Rotary Actuators	For Linear and Rotary Actuators	For Linear and Rotary Actuators	For Linear and Rotary Actuators
Enclosure	IP67	IP67	IP67	IP67
Visual Status Indication	Yes	Yes	Yes	Yes
Impact /Drop Test	IEC 28-2 32	IEC 28-2 32	IEC 28-2 32	IEC 28-2 32
Chemical Resistant	Yes	Yes	Yes	Yes
Safety Vented	Yes	Yes	Yes	Yes

Module (See Module specific Tech sheet)

Proximity Sensor Std.

Model	FQP2-18C04P-A3U2T	FQP2-18C04N-A3U2T	FQP2-18C04A-A2 L2	FQP2-18C04A-A2 L2
Type	Inductive	Inductive	Inductive	Inductive
Short Circuit Protection	✓	✓	x	x
Supply Voltage	24V DC ± 10%	24V DC ± 10%	24V AC ± 10%	110V AC ± 10%
Voltage Drop	< 3.0V @ 100 mA	< 3.0V @ 100 mA	< 8.0 V @ 400 mA	< 8.0 V @ 400 mA
Min. Load Current	–	–	5 mA	5 mA
Max. Leakage Current	< 0.01 mA	< 0.01 mA	1.8 mA	1.8 mA
No Load Current	< 7 mA (Off) < 12 mA (On)	< 7 mA (Off) < 12 mA (On)	< 1.8 mA (Off)	< 1.8 mA (Off)
Protection Rating	IP67	IP67	IP67	IP67

Solenoid

Model	SYJ5153	SYJ5153	SYJ5153	SYJ5153
Type	5 Port 2 Way	5 Port 2 Way	5 Port 2 Way	5 Port 2 Way
Supply Voltage	24V DC	24V DC	24V DC	110 V AC
Power Consumption	0.4 Watt	0.4 Watt	0.4 Watt	1.1 Watt
Lockable Manual Override	✓	✓	✓	✓
Air Pressure Diff. Min./Max.	100/700 kPa	100/700 kPa	100/700 kPa	100/700 kPa
Ambient Temperature	Max. 50°C	Max. 50°C	Max. 50°C	Max. 50°C
Allowable Voltage	± 10% Rated Voltage	± 10% Rated Voltage	± 10% Rated Voltage	± 10% Rated Voltage
C _v	0.19 - 0.21	0.19 - 0.21	0.19 - 0.21	0.19 - 0.21

Notes:

- Control Heads can be supplied in a number of different configurations, i.e. with or without Solenoid or Module and single or dual switching. Different types and makes of switches can also be fitted on request, i.e. Proximity (std), Reed or Microswitch etc. the maximum temperature rating of the control head is limited by the solenoid, which is rated at 50°C.
- Keystone actuators are factory lubricated and do not need lubricated air. The use of synthetic oils and some mineral oils are known to be damaging to polymer components. Keystone therefore recommends that clean dry air be used.

Typical Specifying Sequence

Example:	F783	24	DC	P	M	1S A	2PK	CGB	M
Figure Number									
Module Voltage/Module Interface									
24 = 24 Volt (Std)									
110 = 110 Volt									
AS-I = AS-Interface®									
D-NET = DeviceNet™									
EEXI = Intrinsically Safe components									
Voltage Type (specify for 24V and 110V only)									
AC = AC									
DC = DC (Std)									
Junction Type (only relevant to DC rated heads)									
P = PNP (Std)									
N = NPN									
Interface Connection									
M = Module included (Std)									
T = Terminal block included									
- = If blank space filler is used, module is not included.									
Number of Solenoids and Type, e.g. 1S = 1 Solenoid									
A = 5/2 (Std)									
X = Blanking plate fitted									
- = If blank space filler used, no blanking plate fitted									
Number and Type of Sensors, e.g. 2M = 2 Micro Switches									
A = Air switch									
M = Micro switch									
N = Namur sensor (6-12 VDC input stated at highest input level)									
PK = Prox. KEYSTONE (Std)									
PI = Prox. IFM									
Electrical Connection, Primary									
AMP = AMPHENOL Plug									
BH4 = 4 Pin M12 Bulk Head									
BH5 = 5 Pin M12 Bulk Head									
BHV = 4 Pin M12 Bulk Head c/w VAMPIRE plug									
CG = Cable Gland Supplied (Define size with a third letter from below list)									
A = PG7									
B = PG9 (Std)									
C = PG16									
D = M16									
E = M20									
Air Connection Style									
M = Metric tubing 6 mm (Std)									
I = Imperial tubing									
T = Tapped 1/8" BSPz									
X = Air ports blanked									

Tyco Flow Control (TFC) provides the information herein in good faith but makes no representation as to its comprehensiveness or accuracy. This data sheet is intended only as a guide to TFC products and services. Individuals using this data sheet must exercise their independent judgment in evaluating product selection and determining product appropriateness for their particular purpose and system requirements. TFC MAKES NO REPRESENTATIONS OR WARRANTIES, EITHER EXPRESS OR IMPLIED, INCLUDING WITHOUT LIMITATION ANY WARRANTIES OF MERCHANTABILITY OR FITNESS FOR A PARTICULAR PURPOSE WITH RESPECT TO THE INFORMATION SET FORTH HEREIN OR THE PRODUCT(S) TO WHICH THE INFORMATION REFERS. ACCORDINGLY, TFC WILL NOT BE RESPONSIBLE FOR DAMAGES (OF ANY KIND OR NATURE, INCLUDING INCIDENTAL, DIRECT, INDIRECT, OR CONSEQUENTIAL DAMAGES) RESULTING FROM THE USE OF OR RELIANCE UPON THIS INFORMATION. Patents and Patents Pending in the U.S. and foreign countries. Tyco reserves the right to change product designs and specifications without notice. All registered trademarks are the property of their respective owners. Printed in the USA.